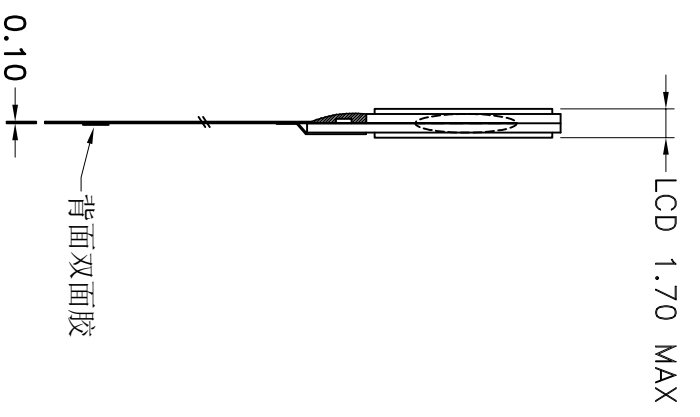


*1. LCD Display Type	STN-YG, Reflective, positive
*2. Viewing Direction	6H
*3. LCD Driver Mode	1/32Duty, 1/6Bias
*4. Operating Voltage	3.3V
*5. Operating Temp	-20°C~70°C
*6. Storage Temp	-30°C~80°C
*7. Driver IC	ST7567
*8. Backlight	
*9. RDHS	

No.	Pin Name
1	/CS1
2	RES
3	A0
4	SCLK
5	STD
6	VDD
7	VSS
8	VDDUT
9	VX0IN
10	VGOUT



HOT DISPLAY

Dwg Title: HTGI3232Y-09N-10H10-V05	
EDC No:	Ver:
Scale 1:1	Unit mm
Tol. ±0.2	Date: 2015-06-19
Drawn	Checked